

MITSUBISHI ELECTRIC COLLABORATIVE ROBOT MELFA ASSISTA

e-Factory



MELFA

as*s*ista

GLOBAL IMPACT OF MITSUBISHI ELECTRIC



Through Mitsubishi Electric's vision, "Changes for the Better" are possible for a brighter future.

Changes for the Better

We bring together the best minds to create the best technologies. At Mitsubishi Electric, we understand that technology is the driving force of change in our lives. By bringing greater comfort to daily life, maximizing the efficiency of businesses and keeping things running across society, we integrate technology and innovation to bring changes for the better.

Mitsubishi Electric is involved in many areas including the following:

Energy and Electric Systems

A wide range of power and electrical products from generators to large-scale displays.

Electronic Devices

A wide portfolio of cutting-edge semiconductor devices for systems and products.

Home Appliance

Dependable consumer products like air conditioners and home entertainment systems.

Information and Communication Systems

Commercial and consumer-centric equipment, products and systems.

Industrial Automation Systems

Maximizing productivity and efficiency with cutting-edge automation technology.

The new future of automation made possible by next-generation intelligent robots and e-F@ctory



Providing improvements in productivity, quality, environmental protection, safety and security to help reduce companies' TCO* and boost their corporate value

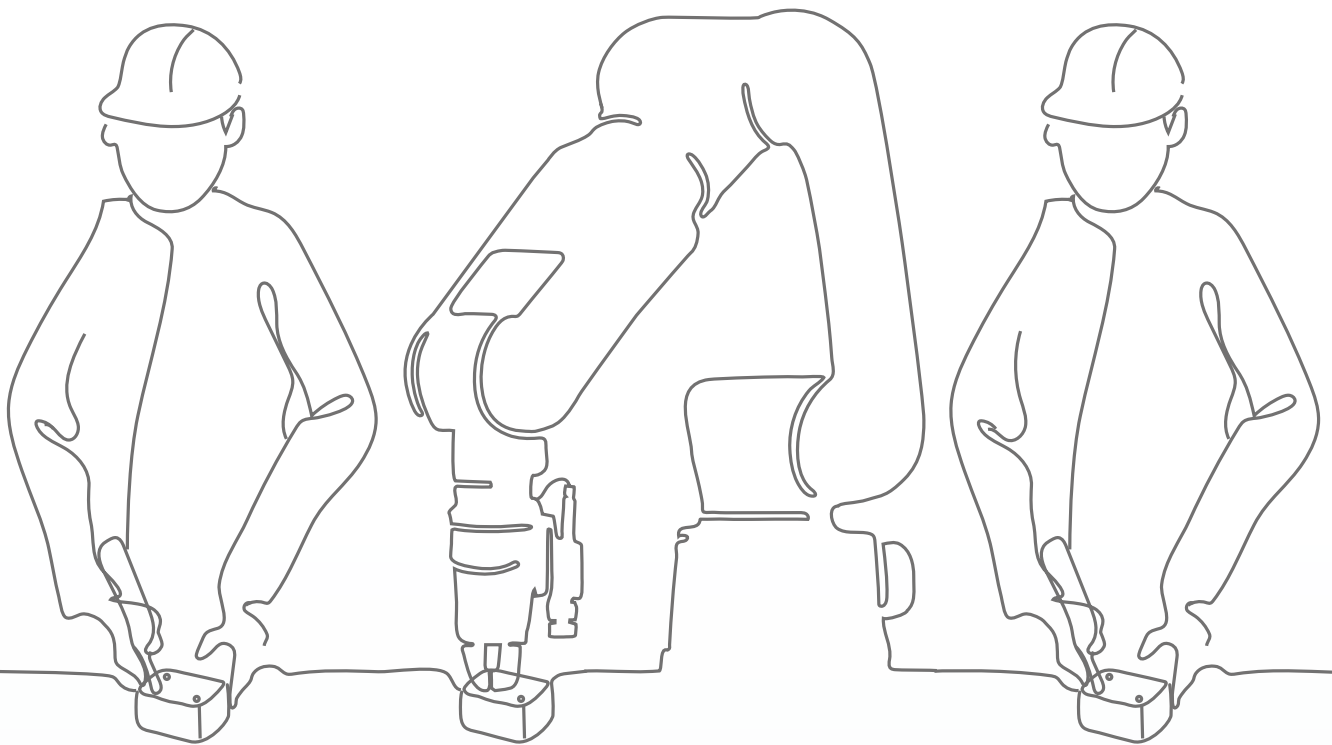
We offer solutions that use FA technology and IT to reduce total costs in everything from development through to production and maintenance, supporting customers to continuously improve their business operations and achieve truly cutting-edge manufacturing.

*TCO: Total Cost of Ownership

e-F@ctory is Mitsubishi Electric's trademark and registered trademark.



Integrate.

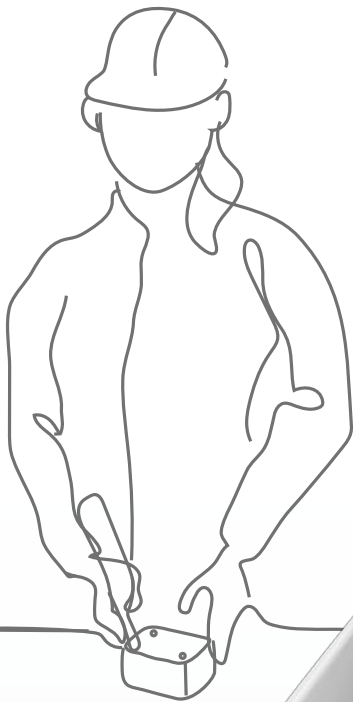


Mitsubishi Electric Collaborative Robot - ASSISTA

MELFA

as **s** i s t a

Collaborate.



Simpler and Easier



Mitsubishi Electric Collaborative Robot - MELFA ASSISTA
can share a workspace with humans.
Simpler, Easier and more flexible.
This robot will change your perception of what a "ROBOT" is.

Easy operation with
the Operation button.

Easy Control



No robot programming expertise required.

Easy Programming



MELFA assista



Easy connectivity with
a wide variety of components.

Easy Connecting

Easy Control

Move Easily with
the Operating Buttons



The operating buttons on the robot arm provide you with easy control for ASSISTA and the teaching pendant for programming and teaching is no longer needed. The LED on the robot arm display the status of the robot.



Easy Programming

Easy Connecting

Easy Control

DIRECT TEACHING
TEACH
HAND
RESET
START
ENABLE LOCK

 MITSUBISHI
ELECTRIC

Easy Program

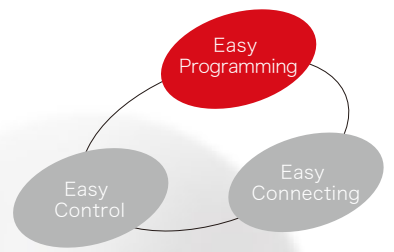
No Expertise
for Robot Required.

You can create programs visually using intuitive operations with RT-Visual-Box. "Visual Programming"

- This software allows operators to simply program this robot with a "train by demonstration" programming interface. This allows them to move the robot arm position and set way-points easily.

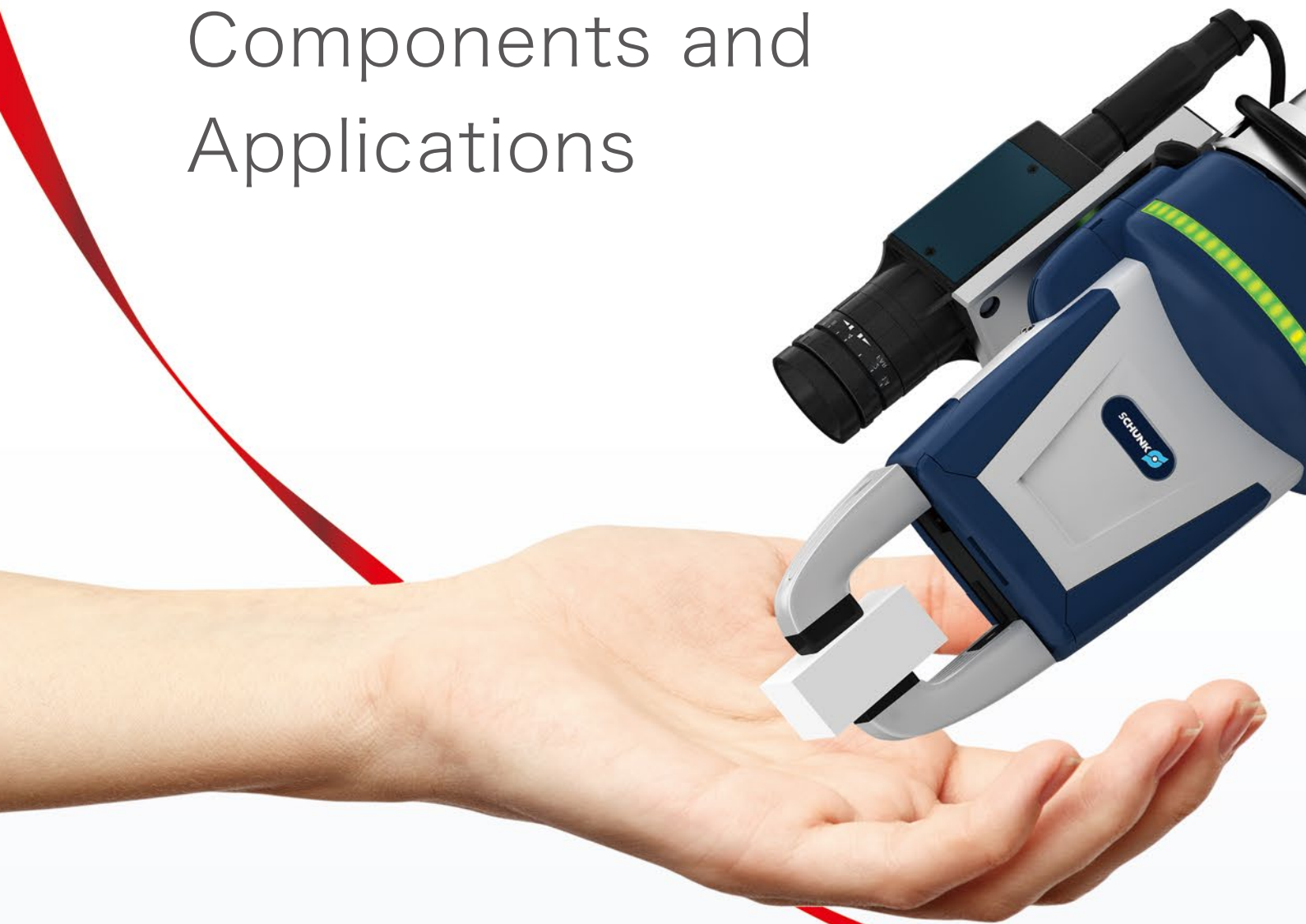


ming



Easy Connect

A Wide Variety of
Components and
Applications

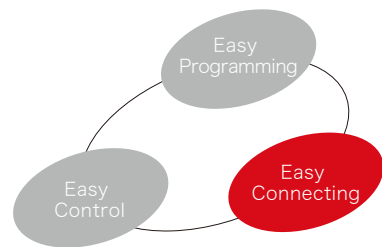


ASSISTA offers a wide variety of components—Grippers, Fingers, Vision and other peripherals—developed by a group of organizations known as MELFA Robot Partners.

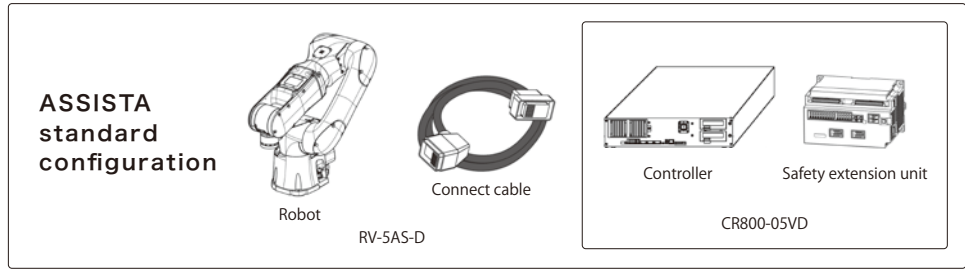
These tools can easily be setup and configured for your application. ASSISTA can also be configured to move freely as as part of an AGV/AMR or as a mobile robot.

AGV: Automated Guided Vehicle
AMR: Autonomous Mobile Robot

ing



Robot arm



Standard specifications of RV-5AS-D robot

Item	Unit	Specifications	
IP Rate		IP54	
Degree of freedom		6	
Installation posture		Floor mounted / ceiling mounted	
Structure		Vertical, multiple-joint type	
Operating range	Waist (J1)	±240	
	Shoulder (J2)	±148	
	Elbow (J3)	±150	
	Wrist twist (J4)	±200	
	Wrist pitch (J5)	±120	
	Wrist roll (J6)	±200	
Speed of motion <small>Note1)</small>	Waist (J1)	124 (59.6)	
	Shoulder (J2)	124 (34.0)	
	Elbow (J3)	124 (34.0)	
	Wrist twist (J4)	297 (142)	
	Wrist pitch (J5)	356 (215)	
	Wrist roll (J6)	360	
Maximum reach radius	mm	910	
Maximum resultant velocity <small>Note2)</small>	High-speed operation mode	1,000	
	Collaborative operation mode (Standard operation)	250	
	Collaborative operation mode (Low-speed operation)	50	
Load	Rating	5	
	Maximum <small>Note3)</small>	5.5	
Pose repeatability	mm	±0.03	
Ambient temperature <small>Note4)</small>	°C	0 to 40	
Mass	kg	32	
Wiring	Hand I/O	-	Mechanical interface: 2 inputs/4 outputs Forearm: 6 inputs/0 outputs Base: 0 inputs/4 outputs
	Force sensor cable/Spare cable	-	5-conductor (24 V/0.7 A) One of the conductors should be used for the frame ground (FG).
	LAN cable	-	Cat-5e supported
Plumbing	Primary hoses	-	Φ6 × 2
	Secondary hoses	-	Φ4 × 4 From the base of the robot to the elbow.
Supply pressure	MPa	0.54	

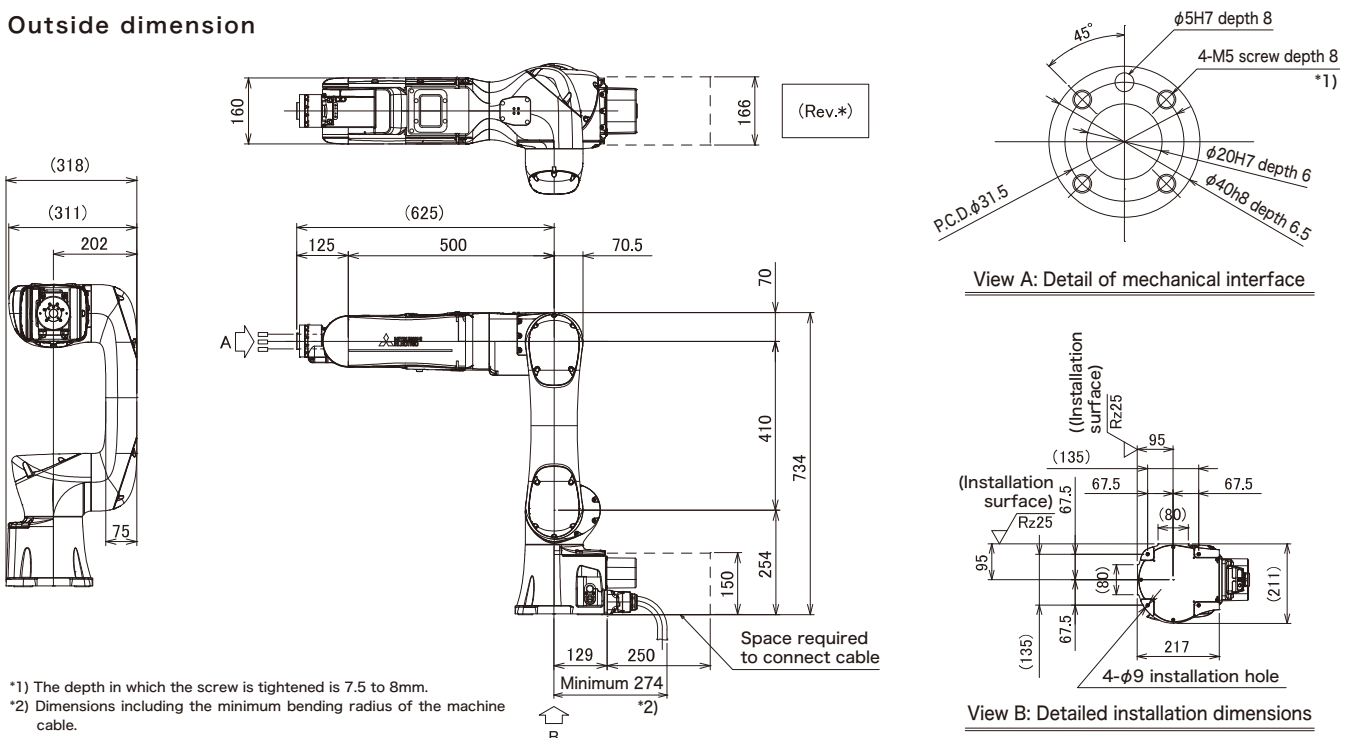
Note1) Values in parentheses indicate the maximum speed when the input voltage is single-phase 100 to 120 VAC.

Note2) These values represent the maximum overall speed of all axes combined. The safety functions limit the robot to the speeds shown in the table. For accurate collision force data when the robot is in Collaborative operation mode, measure collision forces under actual operating conditions.

Note3) Allowable load when the mechanical interface faces downward at an inclination within ±10° to the vertical direction.

Note4) Sets the robot's operating environmental temperature as parameter OLTMX. The initial value is 30 (°C). Corresponding to the environment, the continuous control action performance and the overload-protection function are optimized.

Outside dimension

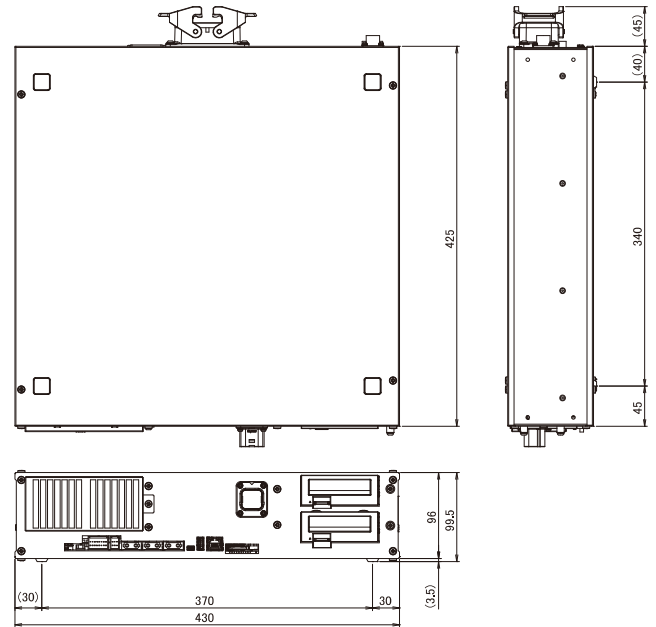


*1) The depth in which the screw is tightened is 7.5 to 8mm.

*2) Dimensions including the minimum bending radius of the machine cable.

CR800-05VD controller specifications of controller

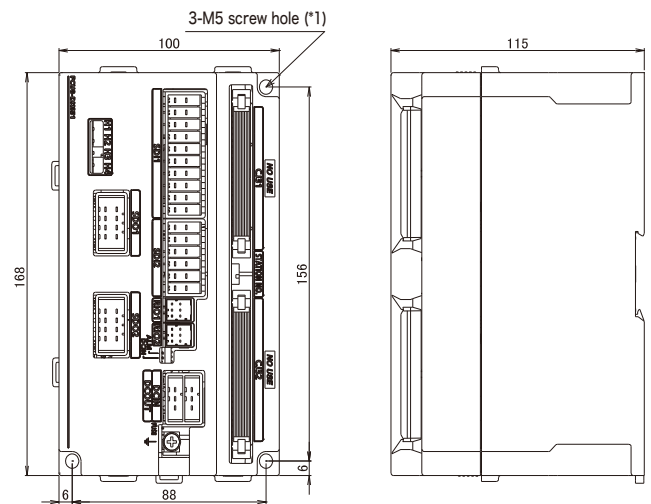
Item	Unit	Specification	Remarks	
Number of control axis	-	Simultaneously 6	-	
Memory capacity	Programmed positions	point	39,000	
	No. of steps	step	78,000	
	Number of program	-	512	
Robot language	-	MELFA-BASIC VI	-	
Teaching method	-	Pose teaching method, MDI method	-	
External input and output	Input/output	point	0/0	Max. 64/64 by option
	Dedicated input/output	-	Assigned with general-purpose input/output	The signal number of "STOP" input signals is fixing.
	Emergency stop input ^{Note2)}	point	1 (duplicated)	
	Emergency stop output	point	1 (duplicated)	
	Mode selector switch input ^{Note3)}	point	1 (duplicated)	
	Mode output	point	1 (duplicated)	
	Robot error output	point	1 (duplicated)	
	Door switch input	point	1 (duplicated)	
Encoder input	Channel	2	-	
Safety I/O	point	8 (duplicated) / 4 (duplicated)	Safety extension unit	
Interface	Force sensor interface	Channel	1	-
	Remote input/output	Channel	1	For connection to the Safety extension unit.
	USB	port	1	Ver. 2.0 HighSpeed device functions only. USB mini-B
	Ethernet	port	1	For customer: 100BASE-T/100BASE-TX/10BASE-T
			1	Dedicated T/B port: 100BASE-TX/10BASE-T
	Option slot	slot	2	For option interface
	SD memory card slot	slot	1	For extended memory
RS-422	port	1	Dedicated T/B port	
Power source	Input voltage rang	V	Single phase AC 100 to 120 Single phase AC 200 to 230	The rate of power-supply voltage fluctuation is within 10%.
	Power capacity	kVA	1.0	Does not include rush current. ^{Note4)}
	Power supply frequency	Hz	50/60	-
Outline dimensions	mm	430(W) x 425(D) x 99.5(H)	Excluding protrusions	
Mass	kg	Approx.12.5	-	
IP Rate		IP20	-	
Ambient temperature	°C	0 to 40	Without freeze	
Ambient humidity	%RH	45 to 85	Without dew drops	
Grounding	Ω	100 or less	Class D Grounding ^{Note5)}	



- Note1) The maximum number of usable programs differs depending on the number of types of workpieces that are registered.
- Note2) Only the STO function can meet the requirements of Category 4, Performance Level e. At factory settings, the STO function meets the requirements of Category 3, Performance Level d. To make the STO function meet the requirements of Category 4, Performance Level e, change the parameter setting.
- Note3) Provide a mode selector switch to change the mode (MANUAL/AUTOMATIC) of the controller.
- Note4) The power capacity is the recommended value. The power capacity does not include the rush current when the power is turned ON. The power capacity is a guideline and the actual operation is affected by the input power voltage.
- Note5) The robot must be grounded by the customer.

Safety extension unit

Item	Description	Remarks		
Safety function	STO function	The function electrically shuts off the driving energy to the motor of the robot arm.	IEC 60204-1 Corresponds to stop category 0	
	SS1 function	The function to control and decelerate the motor speeds of the robot. After stopping, the robot transitions to the STO state.	IEC 60204-1 Corresponds to stop category 1	
	SS2 function	The function to control and decelerate the motor speeds of the robot. After stopping, the robot transitions to the SOS state.	IEC 60204-1 Corresponds to stop category 2	
	SOS function	Without shutting off the driving energy to the motors, this function monitors the robot so that it stays at rest.	-	
	SLS function	This is a function to monitor each part of the robot arm so that their speeds do not exceed monitoring speeds.	When SOS, SLS, SLP, and STR detect error, activate SS1.	
	SLP function	The function monitors specified monitoring positions so that they do not go across position monitoring planes.	EN 61800-5-2 compliant	
	STR function	This function ensures that the torque limits of each motor in the robot are not exceeded.	-	
Safety performance	Standard	EN ISO 10218-1: 2011 ISO/TS 15066: 2016 EN ISO 13849-1: 2015 IEC 61800-5-1: 2007 EN 61800-5-2: 2017 EN 61000-6-7: 2015 EN 61326-3-1: 2017 IEC 61508-1: 2010 IEC 61508-2: 2010 IEC 61508-3: 2010 EN 62061: 2005/A2: 2015 IEC 62061: 2005/AMD1: 2012/AMD2: 2015	-	
	Performance	STO	SIL2, PLd/Category 3 (at factory settings) SIL3, PLe/Category 4 (with changes to parameters)	-
		SS1,SOS,SS2, SLS,SLP,STR	SIL 2, PLd/Category 3	-
	Dangerous failure rate	STO	PFH = 1.40 × 10 ⁻⁸ [1/h]	-
		SS1,SS2,SOS	PFH = 3.42 × 10 ⁻⁷ [1/h]	-
		SLS	PFH = 3.42 × 10 ⁻⁷ [1/h]	-
		SLP	PFH = 3.42 × 10 ⁻⁷ [1/h]	-
STR	PFH = 3.62 × 10 ⁻⁷ [1/h]	-		
Safety extension unit	Power supply specifications	Voltage: 24 V DC ±5% Ripple 0.2 V (P-P) Maximum consumption current: 300 mA	Supplied by customer	
	IP Rate	IP20	-	
	Weight	0.8kg	-	
	Environment	Operating temperature range	0 to 40°C	It must be kept away from heat appliances and other heat sources.
		Relative humidity	45 to 75%	Without dew drop
	Input signal	8 routes (duplicated signal)	-	
Output signal	4 routes (duplicated signal)	-		



The list of robot option equipment

Item	Type	Description
Machine cable (replacement)	1F-□□UCBL-41	"□□" in type shows the length of the cables as follows. 02=2 m, 10=10 m (Changed from the original length of 5 m)
Solenoid valve set	1F-VD0□-01(Sink)	Sets with one or two valves are available. Φ4 diameter output hoses The number that replaces "□" indicates the number of valves the solenoid has (1 or 2).
	1F-VD0□E-01(Source)	
2-piece force sensor conversion cable set	1F-ASSISTA-ADCBL	2-piece force sensor conversion cable set (hand cable/base cable) required to connect the force sensor to the robot.
Vision sensor mounting bracket	1F-ASSISTA-2DV5FLG	Bracket required to connect a vision sensor to the hand.

The list of the controller option equipment and special specification

Item	Type	Description
Easy-setup kit	4F-ASSISTASETUP-JP (for Japan/NorthAmerica)	A kit which aids setup that consists of switches, a connector cable, and a 24 V power supply.
	4F-ASSISTASETUP-EU (for Europe/China)	
RT VisualBox	3G-30C-WINE	Windows 10 Supporting English.
RT ToolBox3	3F-14C-WINE	Windows 7, Windows 8, Windows 8.1, Windows 10 Supporting English. (With the simulation function) Ver.1.70Y or later
RT ToolBox3 mini	3F-15C-WINE	Windows 7, Windows 8, Windows 8.1, Windows 10 Supporting English. Ver.1.70Y or later
Simple teaching pendant	R32TB/R32TB-15	Cable length 7m, Cable length 15m
Highly efficient teaching pendant	R56TB/R56TB-15	Cable length 7m, Cable length 15m
Parallel I/O Interface	2D-TZ368(Sink type)	DO: 32 point
	2D-TZ378(Source type)	DI: 32 point
External I/O cable (For Parallel I/O Interface)	2D-CBL05	CBL05:5m, CBL15: 15m Use to connect the external peripheral device to the parallel input/output interface.
CC-Link interface	*1 2D-TZ576	Only intelligent device station, Local station.
Network base card (EtherNet/IP interface)	*1 2D-TZ535	Communication interface for mounting the Anybus CompactCom module manufactured by HMS. The customer needs to prepare the EtherNet/IP module (AB6314) manufactured by HMS.
Network base card (PROFINET interface)	*1 2D-TZ535-PN	Communication interface for mounting the Anybus CompactCom module manufactured by HMS. The customer needs to prepare the PROFINET IO module (AB6489-B) manufactured by HMS.
Network base card (CC-Link IE Field interface)	*1 2F-DQ535	Communication interface for mounting the Anybus CompactCom module manufactured by HMS. The customer needs to prepare the CC-Link IE Field module (AB6709) manufactured by HMS.
Network base card (EtherCAT interface)	*1 2F-DQ535-EC	Communication interface for mounting the Anybus CompactCom module manufactured by HMS. The customer needs to prepare the EtherCAT module (AB6607) manufactured by HMS.
SD memory card	*1 2F-2GBSD	Memory card capacity 2GB.

*1 Not supported by RT VisualBox.

The list of function extension device

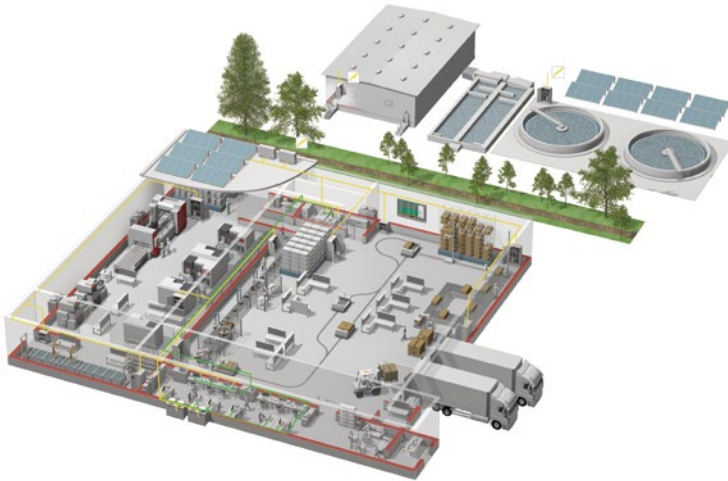
Item	Type name	Specifications
Force sensor set	*1 4F-FS002H-W200	A set of devices necessary for force sense control function, such as a force sensor, an interface unit, and support software.

*1 Not supported by RT VisualBox.

ASSISTA Startup Configuration



YOUR SOLUTION PARTNER



Mitsubishi Electric offers a wide range of automation equipment from PLCs and HMIs to CNC and EDM machines.

A NAME TO TRUST

Since its beginnings in 1870, some 45 companies use the Mitsubishi name, covering a spectrum of finance, commerce and industry.

The Mitsubishi brand name is recognized around the world as a symbol of premium quality.

Mitsubishi Electric Corporation is active in space development, transportation, semi-conductors, energy systems, communications and information processing, audio visual equipment and home electronics, building and energy management and automation systems, and has 237 factories and laboratories worldwide in over 121 countries.

This is why you can rely on Mitsubishi Electric automation solution - because we know first hand about the need for reliable, efficient, easy-to-use automation and control in our own factories.

As one of the world's leading companies with a global turnover of over 4 trillion Yen (over \$40 billion), employing over 100,000 people, Mitsubishi Electric has the resource and the commitment to deliver the ultimate in service and support as well as the best products.



Low voltage: MCCB, MCB, ACB



Medium voltage: VCB, VCC



Power monitoring, energy management



Compact and Modular Controllers



Inverters, Servos and Motors



Visualisation: HMIs



Numerical Control (NC)



Industrial / Collaborative Robots



Processing machines: EDM, Lasers, IDS



Transformers, Air conditioning, Photovoltaic systems

* Not all products are available in all countries.

Global Partner. Local Friend.

Mitsubishi Electric Corporation Nagoya Works is
a factory certified for ISO 14001
(standards for environmental management systems)



MITSUBISHI ELECTRIC CORPORATION

HEAD OFFICE: TOKYO BLDG., 2-7-3 MARUNOUCHI,
CHIYODA-KU, TOKYO 100-8310, JAPAN